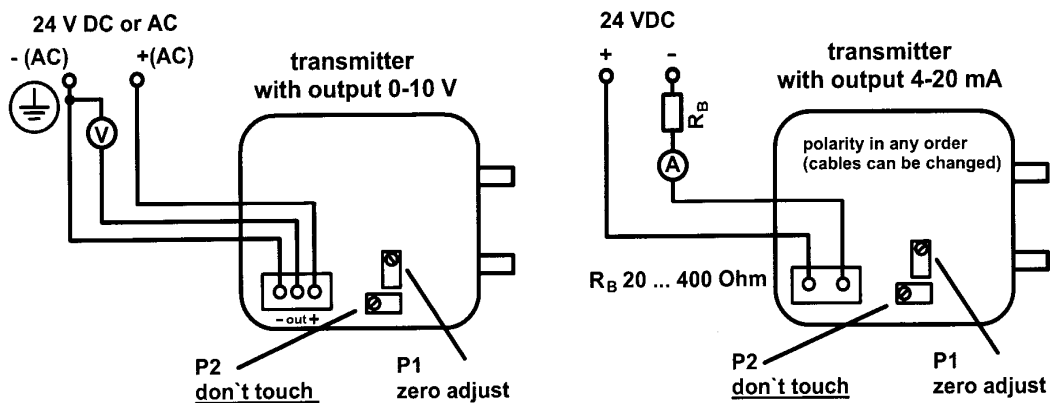


assembly instruction pressure transmitter

1. Take off the top after unscrew the four bolts.
2. Now you can attach the pressure transmitter by the two screw holes out of the insulated housing area.
3. Pull through the connection cable through the cable-thread joint and connect the stripped cable-end with the screw-clamps corresponding to fig. 1.

fig. 1



The output of transmitters with 0-10 V signal is protected against short circuit with ground and power supply. The transmitter is protected against voltages exceeding the upper limit of 30 V.

4. After arranging the connection cable connect the plug into the circuit-board at the transmitter.
5. Fix the cable-thread joint and screw on the top.

hint: At transmitters with 0-10V output the ground is not connected with the housing. Transmitters with 4-20mA have an internal rectifying circuitry that ensures the transmitter will be not damaged if the user changed the polarity of the cables.

attention !

If the top is unscrewed you can adjust the zero-point at the potentiometer P1. Please don't touch potentiometer P2 ! In this case the pressure transmitter must be recalibrated by manufacturer to ensure the guaranteed accuracy described in the datasheet.