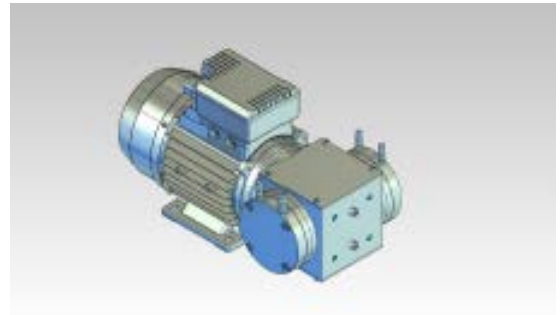
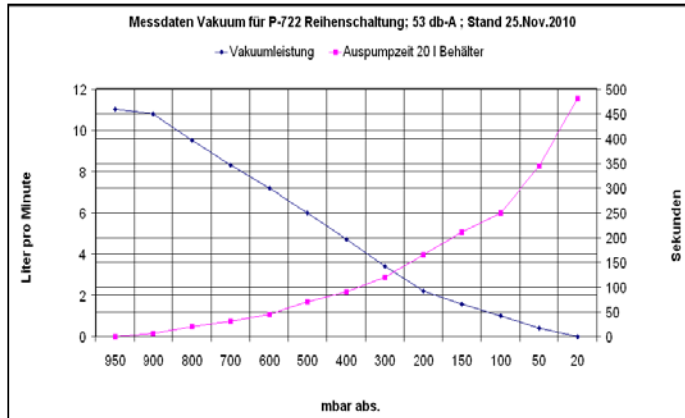


PAUL-GOTHE-GmbH Bochum

Wittener Straße 82
D-44789 Bochum



Manual for 2 Cylinder diaphragm pump for gas sampler 26.021-CP(P-722)



Pneumatic Performance	
Suction performance at 20°C	In series 11,5 l/min
Max. vacuum in mbar/abs	In series up to 20 mbar abs.
Pressure against atmospheric	0,5 Bar does not exceed
Number of cylinders	2
Pneumatic connections	Hose nozzles
Electrical supply ratings of engine	
Engine power (AC-);Upm	120 W; 220-240V~50Hz; 1360Upm 1 phase alternating current
Current consumption I	0,96 A
TH-CI / protection	F / IP 55
General information	
Acceptable gas inlet temperature	+ 5°C ... + 45°C
Acceptable ambient temperature	+10°C ... + 45°C
Sizes	265mm x 120mm x 155mm
Weight ca.	4,6 kg
Material	
Pump heads and chambers Aluminum; valve FKM; O-rings EPDM; membrane FKM; washer Aluminum	

Pump type: P-722/W

